

Pressurized Hemostat

陕械注准20182540042



Product features

- Limb wrapping material is soft. High pressure resistance. Adjust the pressure manually.
- The product is packaged individually and sterilized by ethylene oxide.

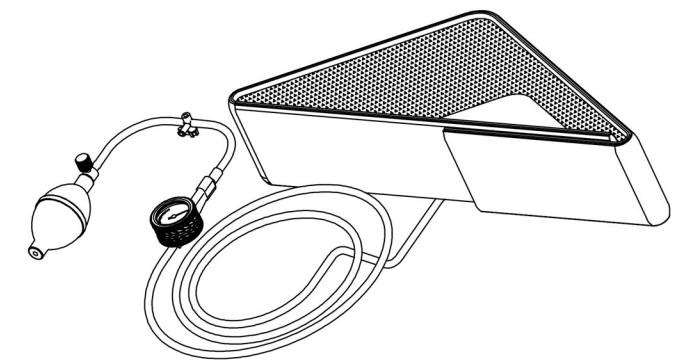
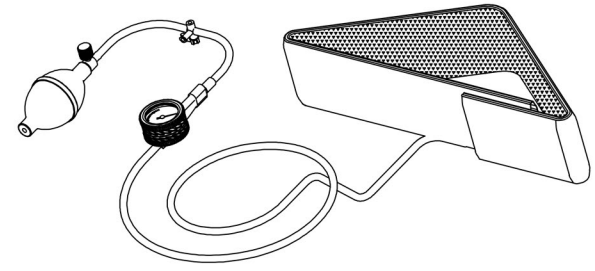


Clinical guideline

- Arterial hemostasis during limb surgery or acute trauma.

Pressurized hemostat (upper limb)

Pressurized hemostat (lower limb)



DRO-SD			
Code	Specs	Size	Qty
147100	大号	800mm*85mm	30

DRO-SZ			
Code	Specs	Size	Qty
147101	中号	700mm*75mm	30

DRO-SX			
Code	Specs	Size	Qty
147102	小号	600mm*65mm	30

DRO-XD			
Code	Specs	Size	Qty
147103	大号	1150mm*105mm	30

DRO-XZ			
Code	Specs	Size	Qty
147104	中号	1150mm*85mm	30

DRO-XX			
Code	Specs	Size	Qty
147105	小号	1000mm*65mm	30